

Seat No.: _____

Enrolment No. _____

GUJARAT TECHNOLOGICAL UNIVERSITY

ME – SEMESTER – III (New)– EXAMINATION – WINTER-2019

Subject Code: 3730006

Date: 14-11-2019

Subject Name: Industrial Safety

Time: 02:30 PM TO 05:00 PM

Total Marks: 70

Instructions:

- 1. Attempt all questions.**
- 2. Make suitable assumptions wherever necessary.**
- 3. Figures to the right indicate full marks.**
- 4. Notations/symbols have used meaning.**

Q.1 (a) What is an accident? State its various causes and remedies to prevent the accidents. **07**

(b) Discuss the safety and health provisions as per Factories Act 1948. **07**

Q.2 (a) Discuss the responsibilities of the maintenance department in an organization. **07**

(b) Discuss the maintenance cost and its relation with the replacement economy. **07**

OR

(b) What are the things which are used for fire safety? Also, enlist the points to be observed for fire prevention. **07**

Q.3 (a) Define Lubrication. State various functions of lubrication and explain the principles of lubrication. **07**

(b) Enlist different method of corrosion prevention and explain any one in brief. **07**

OR

Q.3 (a) Enlist different method of wear reduction and explain any one in brief. **07**

(b) Define Corrosion. What are factors that affect corrosion? **07**

Q.4 (a) State the order in which the fault finding procedure is carried out. **07**

(b) Why decision tree is used? Explain the same with a suitable example. **07**

OR

Q.4 (a) What types of faults are there? Discuss it in detail. **07**

- (b) Draw a fault tree and analyze it for the problems which may occur in the system shown in Fig1. **07**

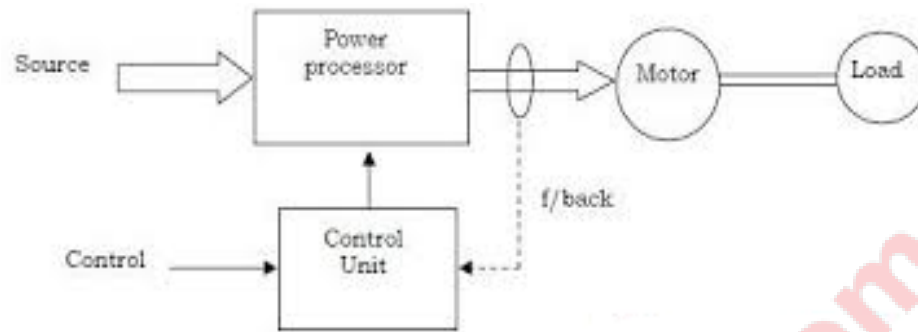


Fig1.

- Q.5** (a) Why preventive maintenance is adopted? Explain, how preventive maintenance can be executed? **07**
- (b) Write short note on: - Periodic inspection & its need. **07**

OR

- Q.5** (a) Enlist various steps for periodic maintenance of a DG set. **07**
- (b) Write short note on: - Repair cycle & its importance. **07**
