

Seat No.: \_\_\_\_\_

Enrolment No. \_\_\_\_\_

**GUJARAT TECHNOLOGICAL UNIVERSITY**

**ME – SEMESTER – III (New)– EXAMINATION – WINTER-2019**

**Subject Code: 3730006**

**Date: 14-11-2019**

**Subject Name: Industrial Safety**

**Time: 02:30 PM TO 05:00 PM**

**Total Marks: 70**

**Instructions:**

- 1. Attempt all questions.**
- 2. Make suitable assumptions wherever necessary.**
- 3. Figures to the right indicate full marks.**
- 4. Notations/symbols have used meaning.**

**Q.1 (a)** What is an accident? State its various causes and remedies to prevent the accidents. **07**

**(b)** Discuss the safety and health provisions as per Factories Act 1948. **07**

**Q.2 (a)** Discuss the responsibilities of the maintenance department in an organization. **07**

**(b)** Discuss the maintenance cost and its relation with the replacement economy. **07**

**OR**

**(b)** What are the things which are used for fire safety? Also, enlist the points to be observed for fire prevention. **07**

**Q.3 (a)** Define Lubrication. State various functions of lubrication and explain the principles of lubrication. **07**

**(b)** Enlist different method of corrosion prevention and explain any one in brief. **07**

**OR**

**Q.3 (a)** Enlist different method of wear reduction and explain any one in brief. **07**

**(b)** Define Corrosion. What are factors that affect corrosion? **07**

**Q.4 (a)** State the order in which the fault finding procedure is carried out. **07**

**(b)** Why decision tree is used? Explain the same with a suitable example. **07**

**OR**

**Q.4 (a)** What types of faults are there? Discuss it in detail. **07**

- (b) Draw a fault tree and analyze it for the problems which may occur in the system shown in Fig1. **07**

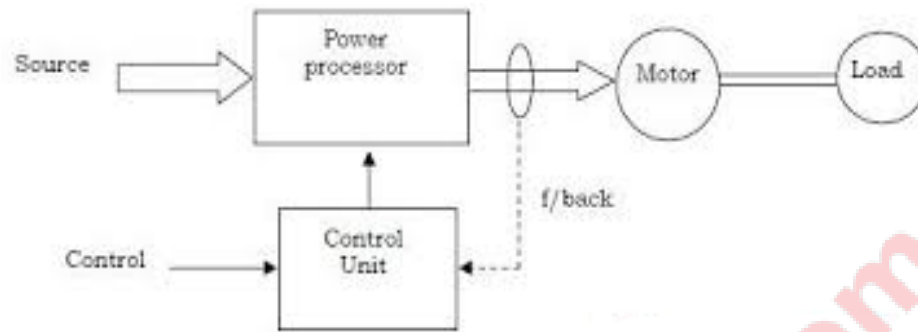


Fig1.

- Q.5** (a) Why preventive maintenance is adopted? Explain, how preventive maintenance can be executed? **07**
- (b) Write short note on: - Periodic inspection & its need. **07**
- OR**
- Q.5** (a) Enlist various steps for periodic maintenance of a DG set. **07**
- (b) Write short note on: - Repair cycle & its importance. **07**

\*\*\*\*\*